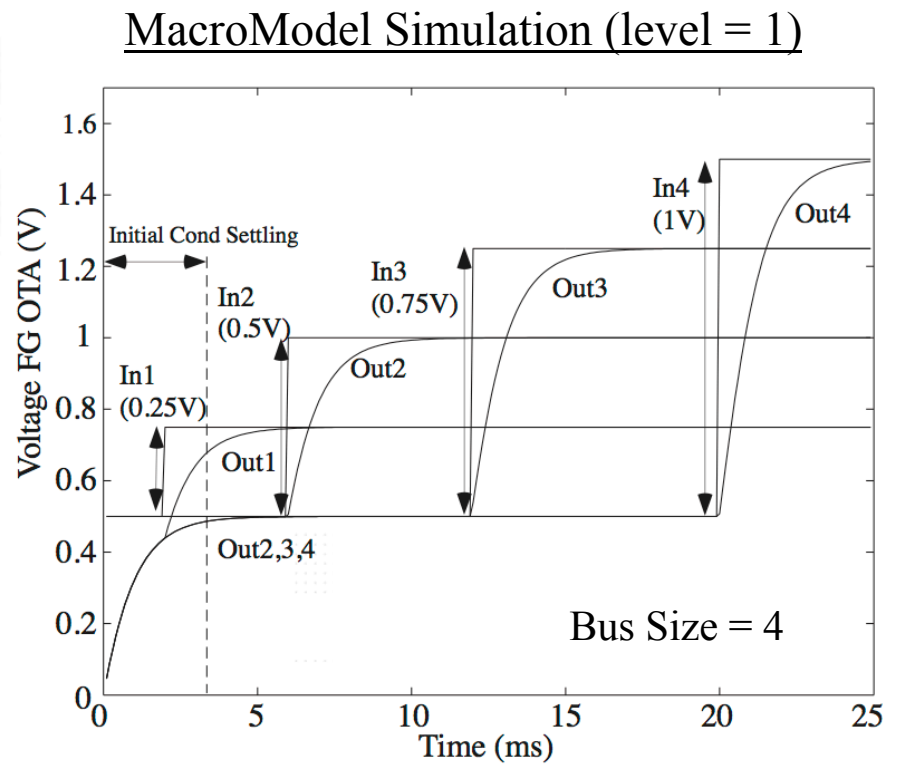
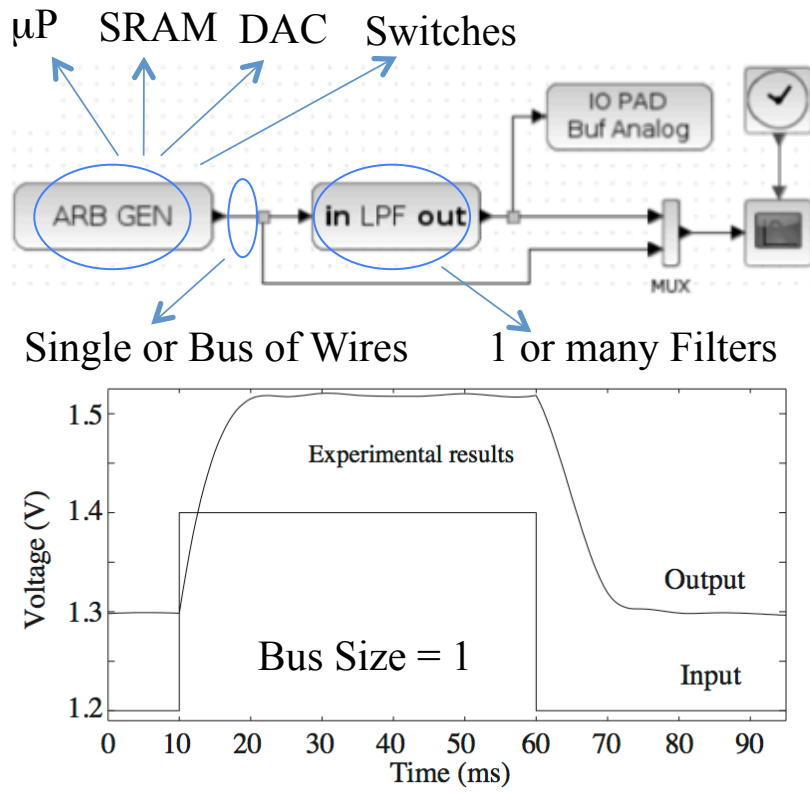


Measurement and Simulation in a single Tool



One toolset to design, to enable high level simulation, and to compile to hardware

Experiment Session #1: Connections and LPF Block

Bring up FPAAs tools & test setup

Compile the first file (DAC – ADC)

Program the first file
(check for USB setup)

Measure DAC – ADC block

Measure Input and output through pins,
as well as the single LPF block.

Measure the behavior of single LPF,
• Low Frequency Transfer Function
(DC transfer curve)

• Step Response for LPF

